

Temperature Humidity Sensor



Description

The LoRaWAN sensor from *Smart Box & GeoPortal* takes temperature and humidity readings at set intervals and communicates this information through our portal. The sensor has self-calibration algorithms to adapt to varying environmental conditions.

Operation

The sensor measures temperature and humidity with high precision and is configurable to send alerts when the preset high or low temperature or humidity is reached. The alerts are sent as they occur (in real time) via WhatsApp, SMS, or email.

The sensor data is stored for analysis.

Main Features

- Uses LoRaWAN technology
- Range of the wireless network: 5 km
- High precision measurements of temperature and humidity
- Long battery lifespan
- Easy to install and maintain

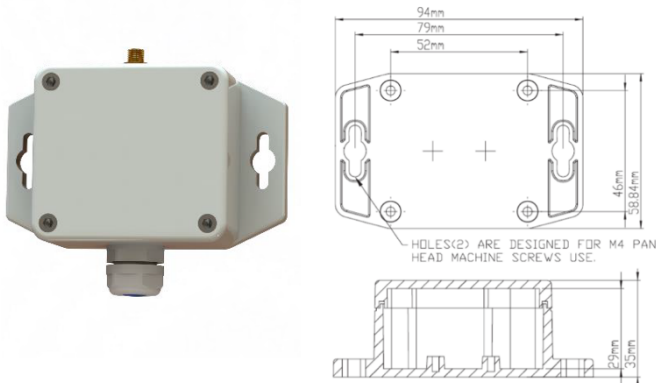
LoRaWAN™



© Smart Box & GeoPortal - version 2.0

Specifications

| Temperatura | |
|---------------------|------------|
| Range | 0 – 60 °C |
| Resolution | 0.1 °C |
| Accuracy | ± 0.2 °C |
| Humidity | |
| Range | 0 – 100 HR |
| Resolution | 0.1 % |
| Accuracy | 2 % |
| Sensores integrados | |
| Voltaje | 0 - 10 VCC |
| Contador de pulsos | 0 - 65535 |



Integrated Solution for Remote Monitoring

© Smart Box & GeoPortal - version 2.0