

Dry Contact Sensor



Description

The dry contact sensor from *Smart Box & GeoPortal* measures the state of a circuit and communicates this information through our portal. The sensor is equipped with a mechanical switch to count the number of activations occurring within a given period of time.

Operation

The sensor is designed to detect whether a switch is open or closed. It also counts passive (open / closed switch) or active (+3 VDC to +15 VDC) pulses. The sensor includes software-configurable low-pass filter settings. It applies filters to pulses with a width greater than a preset value. The sensor is configured to send alerts through our portal when a certain number of pulses is reached within a set period of time. System alerts are sent as they occur (in real time) by Telegram or by email.

Main Features

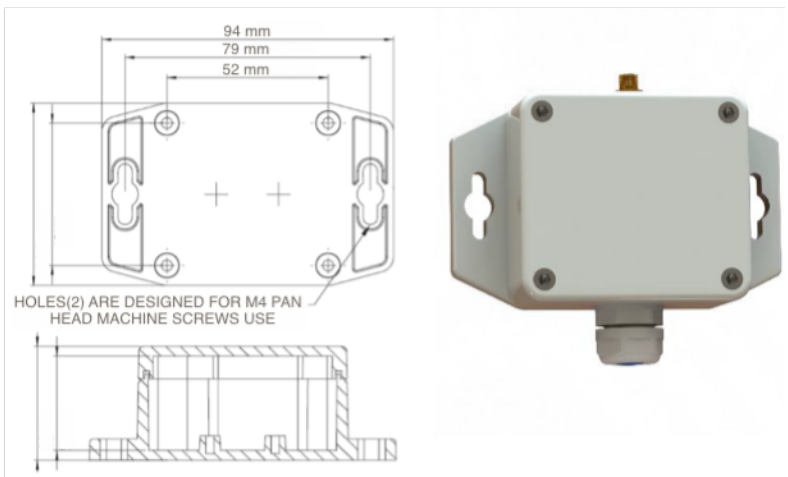
- Uses LoRaWAN technology
- Range of the Wireless network: 5 km
- Counts the number of pulses in a period of time, or continuously
- Counts the positive edge, negative edge, or both edges of a pulse
- Provides extra readings for temperature, acceleration and atmospheric pressure
- Easy to install and maintain



© Smart Box & GeoPortal - version 2.2

Specifications

Counter	
Number of pulses	0 – 65535 (between two readings)
Absolute number of pulses	0 – 4294967295
Max. frequency of the pulses	40 Hz
Battery	1 x 3.6V AA Lithium 14505 (Li-SOCI2)
Battery lifespan	3 years
Temperature	
Range	0 – 60 °C
Resolution	0.1 °C
Accuracy	± 0.2 °C
Acceleration	
Range	± 2.0 g
Sensitivity	16 mg/digit
Sample rate	10 Hz
Atmospheric pressure	
Range	260- 1260 hPa
Accuracy	± 1 hPa
Physical configuration	
Size (L x W x H)	94 x 59 x 35 mm (without antenna)
Weight	100 g (battery included)
Mounting	35mm DIN rail
Standards and Certifications	
Protection class	IP67
Temperature range	-40 – 60 °C



© Smart Box & GeoPortal - version 2.2