

Water Detection Sensor



Description

The water detection sensor from *Smart Box & GeoPortal* detects the presence or absence of water. Unnoticed water leaks cause large damage and costly repair. This can be avoided by installing water detections sensors. They find their applications in computer server rooms, storage areas, industrial facilities, water chillers, and many more.

Operation

The Water Detection Sensor detects when water is present or absent by completing or opening the circuit between two wires. When the presence or absence of water occurs, the sensor transmits this condition over the LoRaWAN network allowing the user to immediately receive an alert by Telegram and email. The sensor can be configured to detect both the presence and non-presence of water.

Main Features

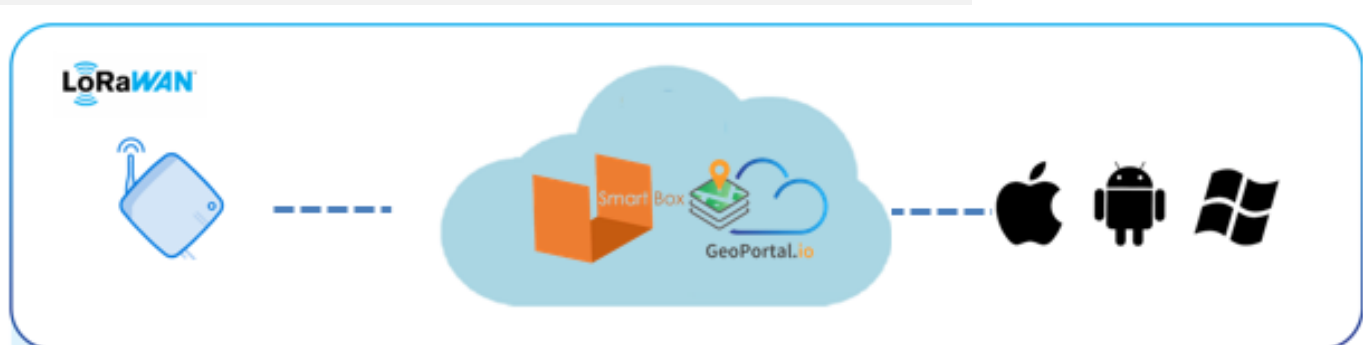
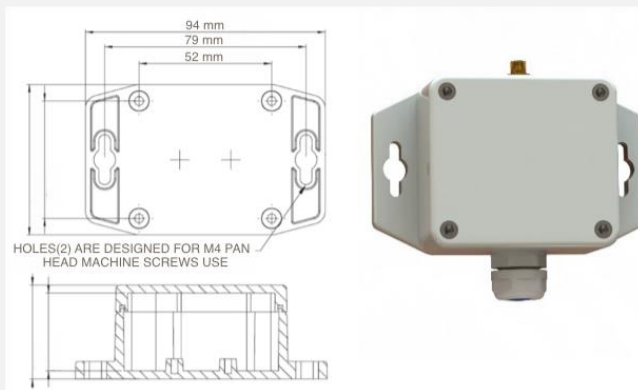
- Uses LoRaWAN technology
- Range of the wireless network: 5km
- RF communication: 915Mhz
- Real-time detection and transmission of presence or absence of water
- 1-meter long water detection cable included
- Water detection cable can be extended to a length of 30 meters



© Smart Box & GeoPortal - version 2.2

Specifications

Power Supply	
Battery	1 x 3.6V AA Lithium 14505 (Li-SOCI2)
Battery lifespan	3 years
Physical configuration	
Size (L x W x H)	94 x 59 x 35 mm (without antenna)
Weight	100 g (battery included)
Detection cable length	1 m, can be extended to 30 m
Mounting	Two mounting holes on the side of the unit
Operating conditions	
Protection class	IP67
Temperature range	-40 – 60 °C



Integrated Solution for Remote Monitoring